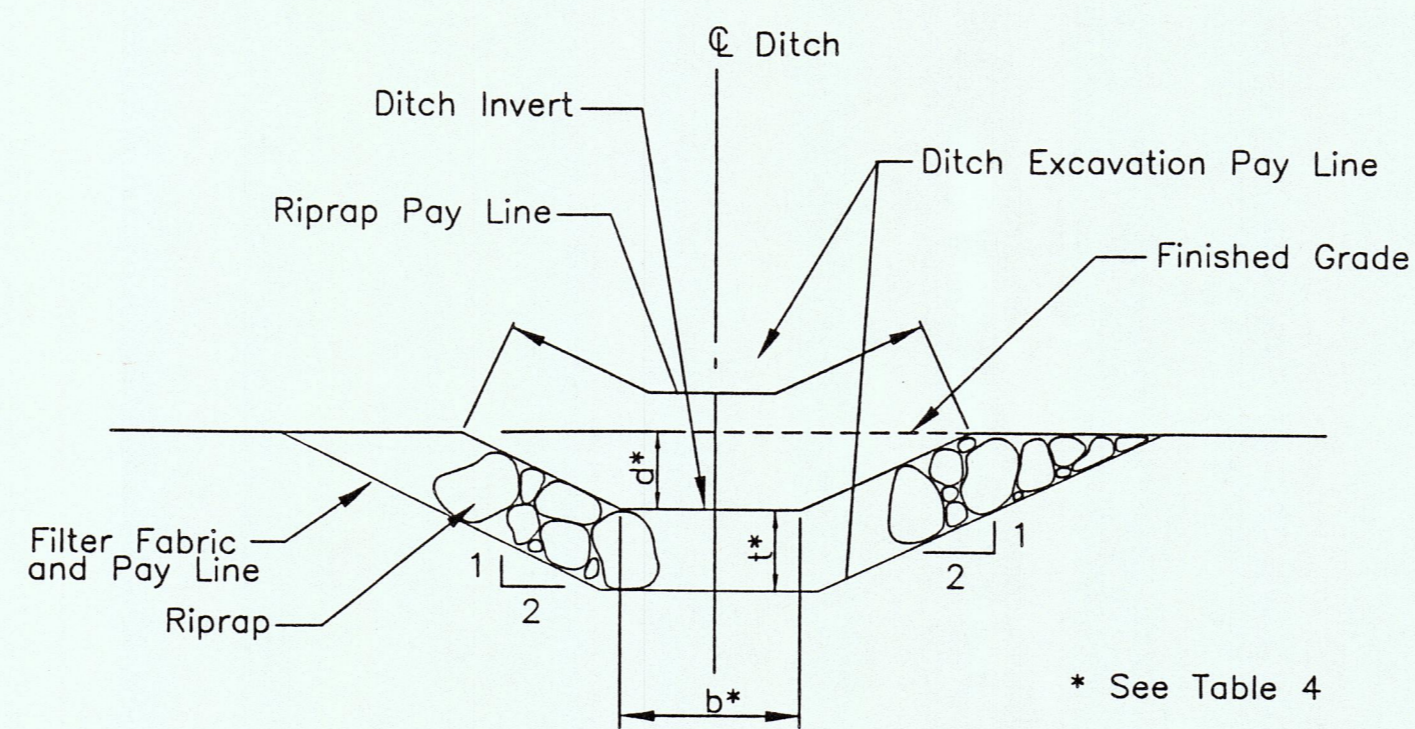


SPILLWAY "B-1"
WITH IMPERVIOUS LINING (PVC)
No Scale



PERMANENT DITCHES "B" AND "C" AND
SPILLWAYS "A-1", "A-2", "A-3", "B-2", "B-3" AND "B-4"
No Scale

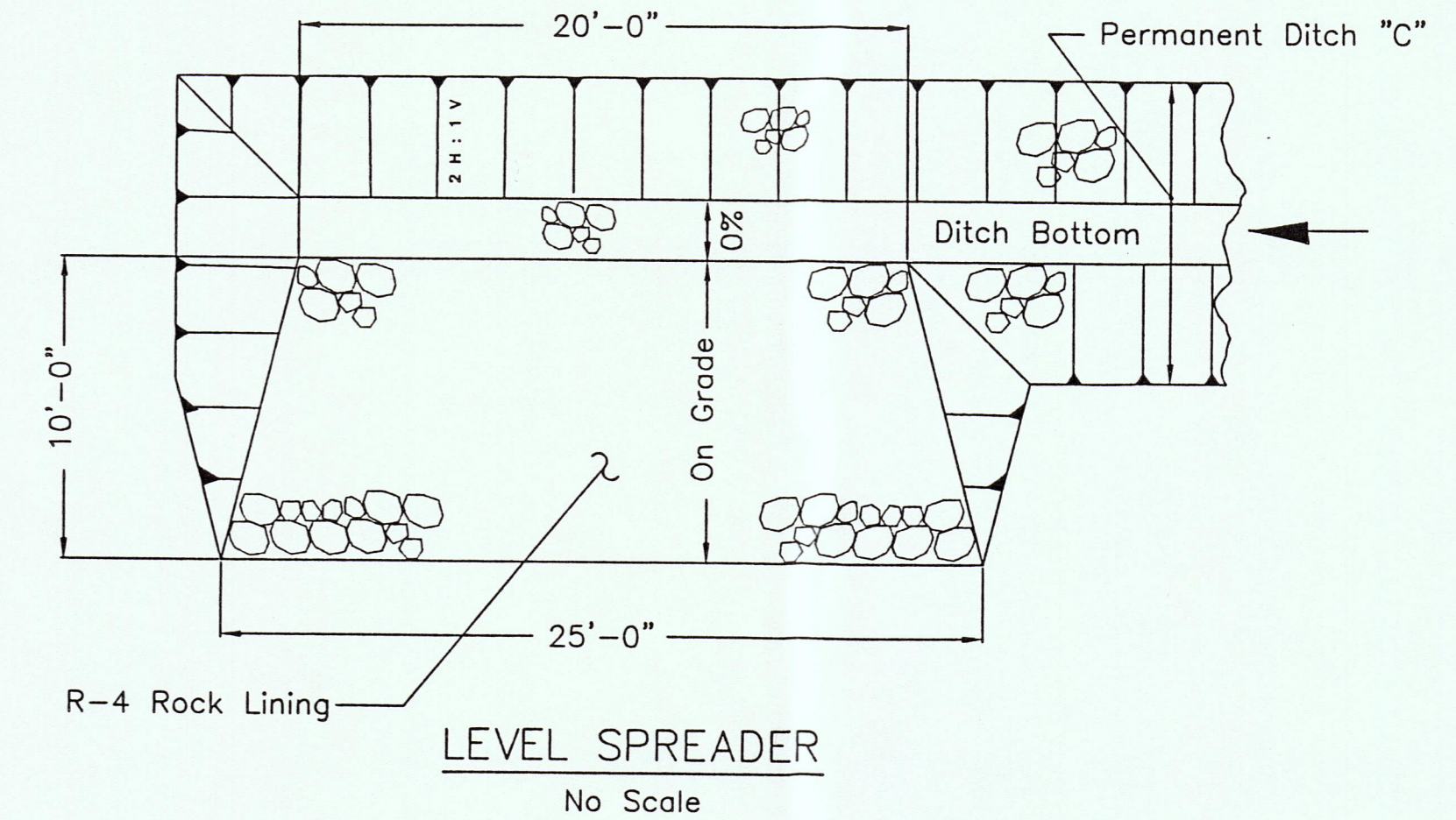
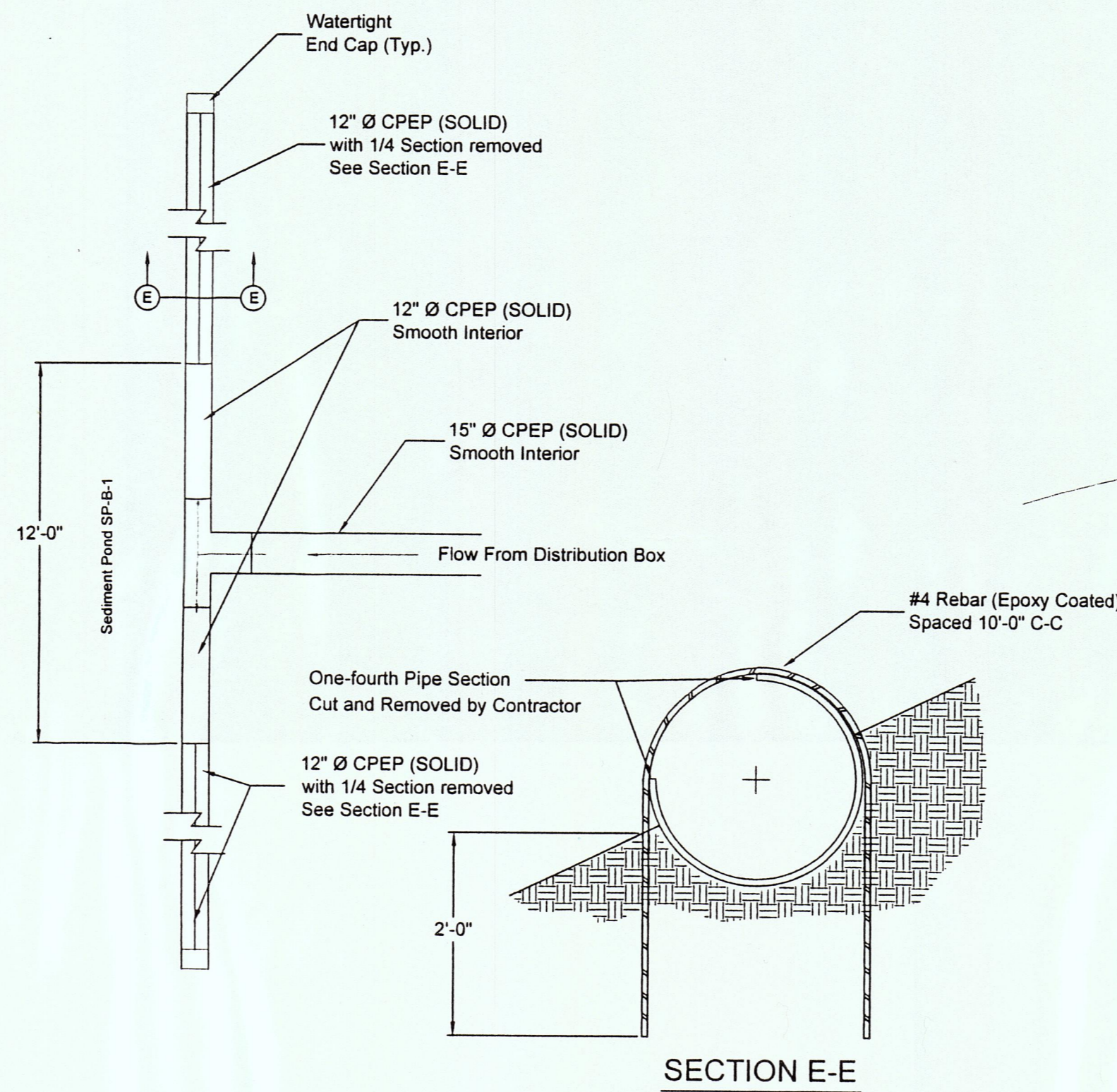
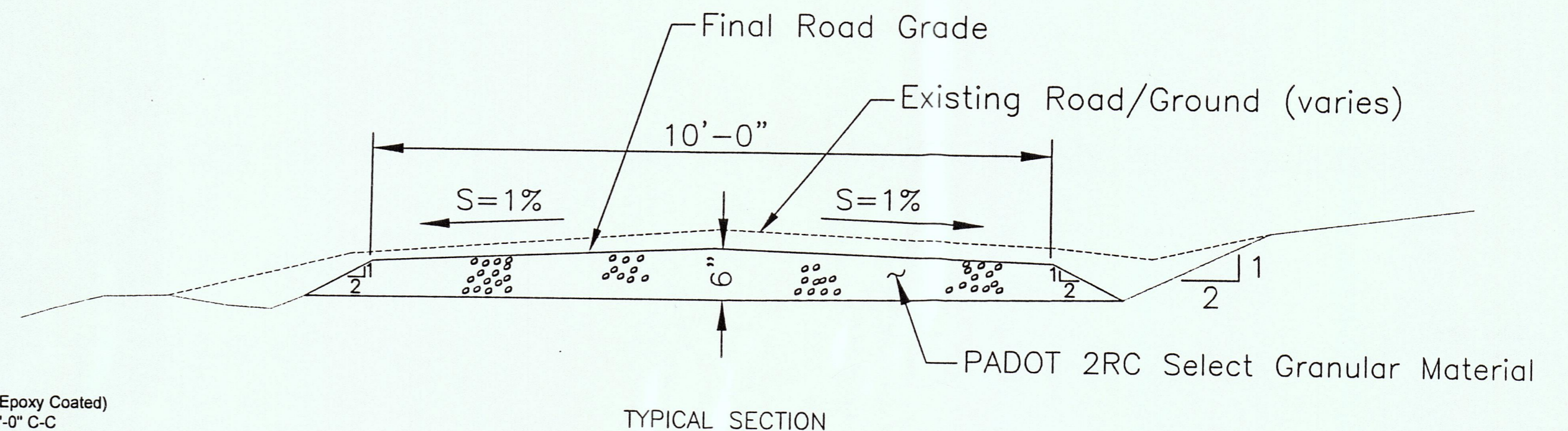


TABLE 4
INFORMATION FOR DITCH AND SPILLWAY CONSTRUCTION

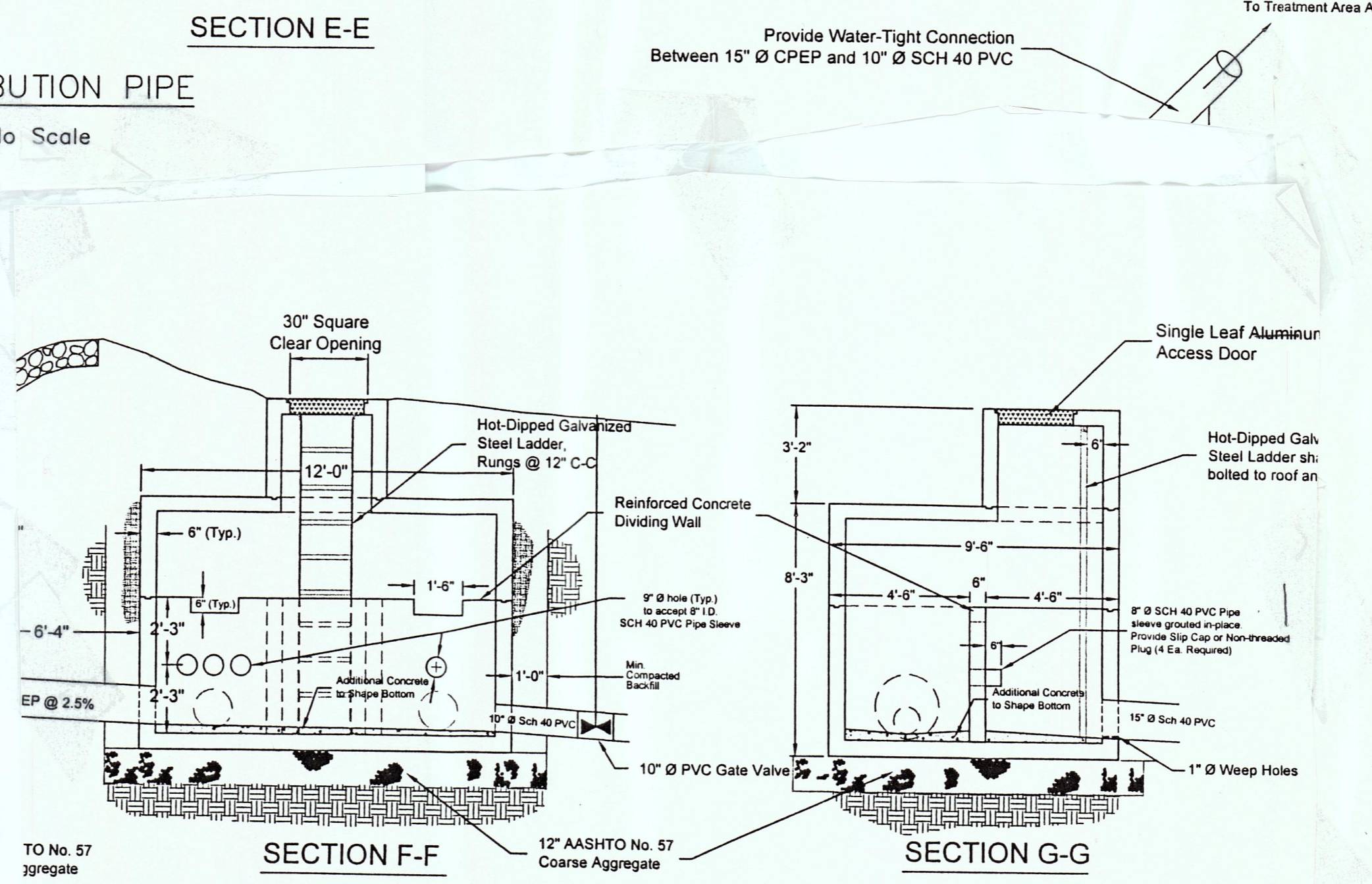
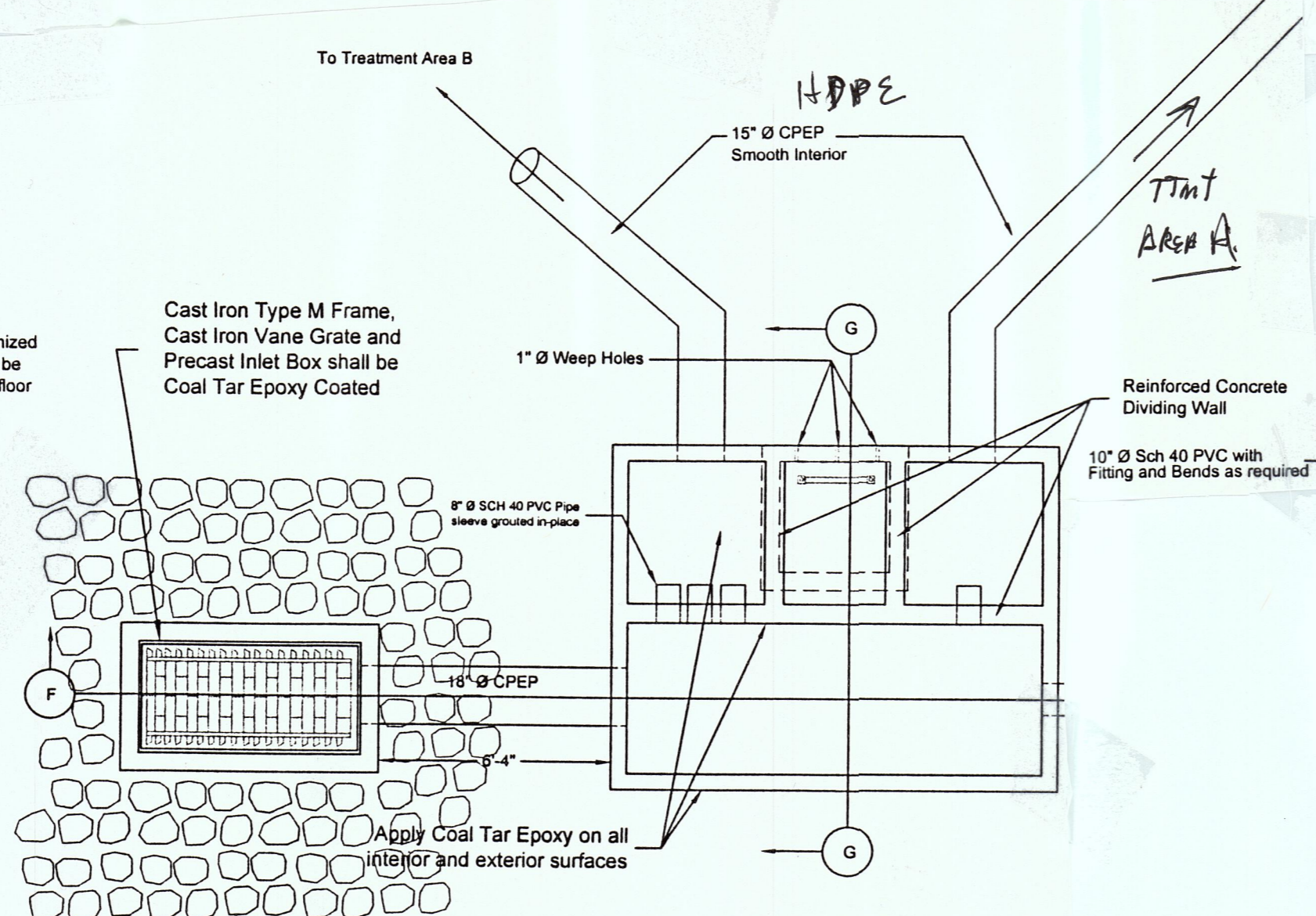
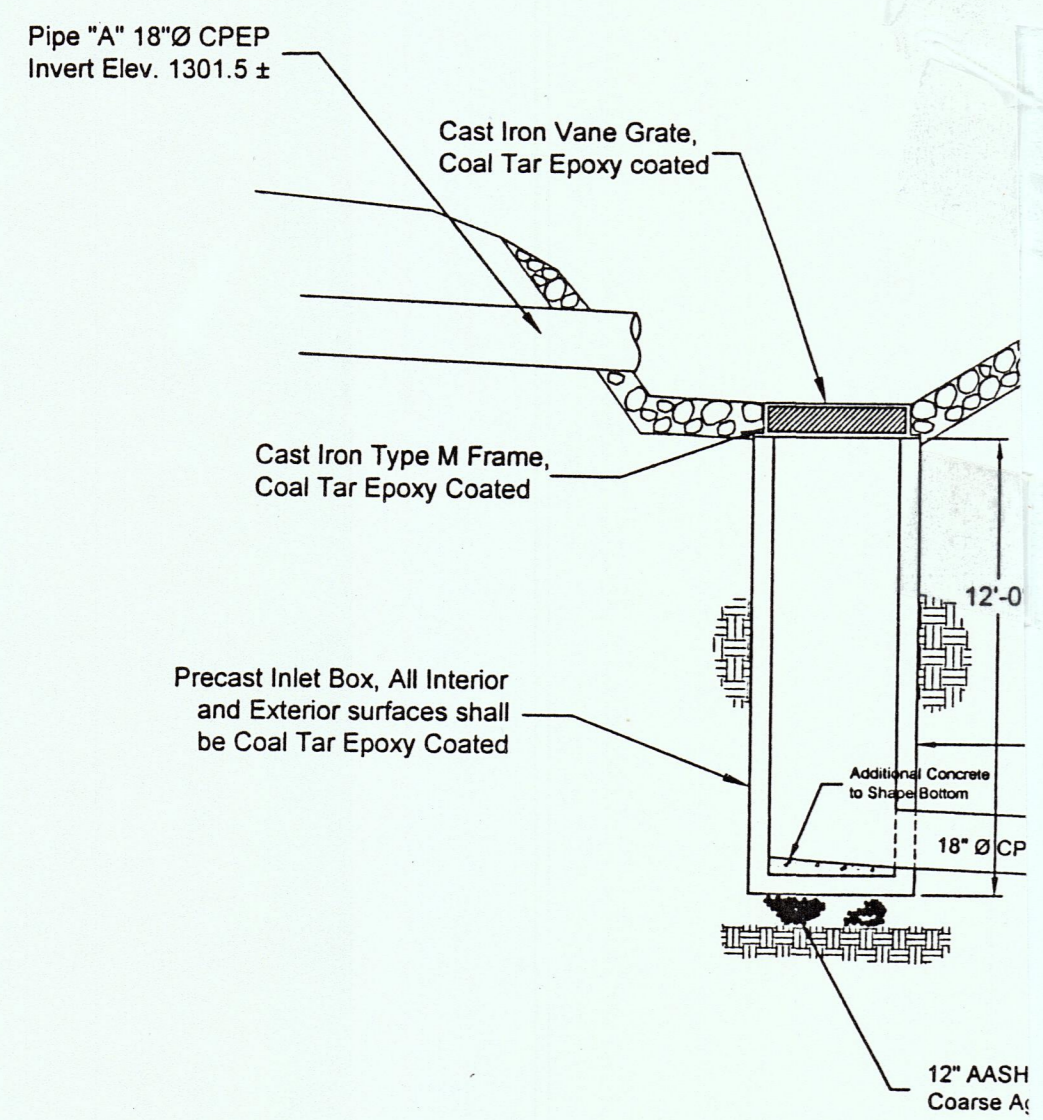
DITCH/SPILLWAY	b	d	t	m	MATERIAL	LENGTH±	INVERT ELEV±
B	2'-0"	2'-0"	15"	N/A	R-4 Rock	140'	Begin 1222.0 End 1205.0
C	3'-0"	2'-0"	15"	N/A	R-4 Rock	120'	Begin 1208.0 End 1199.0
SW A-1	3'-0"	2'-6"	15"	N/A	R-4 Rock	40'	Begin 1210.0 End 1210.0
SW A-2	3'-0"	2'-0"	15"	N/A	R-4 Rock	85'	Begin 1210.5 End 1202.0
SW A-3	3'-0"	2'-0"	15"	N/A	R-4 Rock	60'	Begin 1199.5 End 1186.0
SW B-1	5'-0"	2'-0"	15"	6"	R-4 Rock	35'	Begin 1208.5 End 1208.5
SW B-2	5'-0"	2'-0"	15"	N/A	R-4 Rock	20'	Begin 1208.5 End 1276.0
SW B-3	5'-0"	2'-0"	15"	N/A	R-4 Rock	70'	Begin 1230.0 End 1222.0
SW B-4	5'-0"	2'-0"	15"	N/A	R-4 Rock	65'	Begin 1222.3 End 1208.0
SW B-5	5'-0"	2'-0"	15"	N/A	R-4 Rock	125'	Begin 1222.3 End 1209.0



DISTRIBUTION PIPE
No Scale



TYPICAL SECTION
ACCESS ROAD
No Scale



FLOW DISTRIBUTION BOX
No Scale

NO.	DATE	REVISION	APPR.
SUBMITTED <i>David R. Hellock P.E.</i> PROJECT ENGINEER			
RECOMMENDED <i>David J. Zornell, P.E.</i> ACTING PROJECT COORDINATOR			
APPROVED <i>Joseph H. Schueck P.E.</i> ACTING CHIEF - DIVISION OF ACID MINE DRAINAGE ABATEMENT			
COMMONWEALTH OF PENNSYLVANIA DEPARTMENT OF ENVIRONMENTAL PROTECTION CONTRACT NO. DMF 008-101.1 ABANDONED MINE LAND RECLAMATION PROJECT STANFORD MINING - PENN HILL NO. 2 MINING PERMIT NO. 32841309 CHERRYHILL TOWNSHIP INDIANA COUNTY			
DETAILS			
DRAWN BY	DRH	DATE	11/16/00
CHECKED BY	<i>DRH</i>	SCALE	AS SHOWN
DRAWING NO.			9 of 11

ALL DIMENSIONS AND EXISTING CONDITIONS SHALL BE CHECKED AND VERIFIED BY CONTRACTOR AT THE SITE.