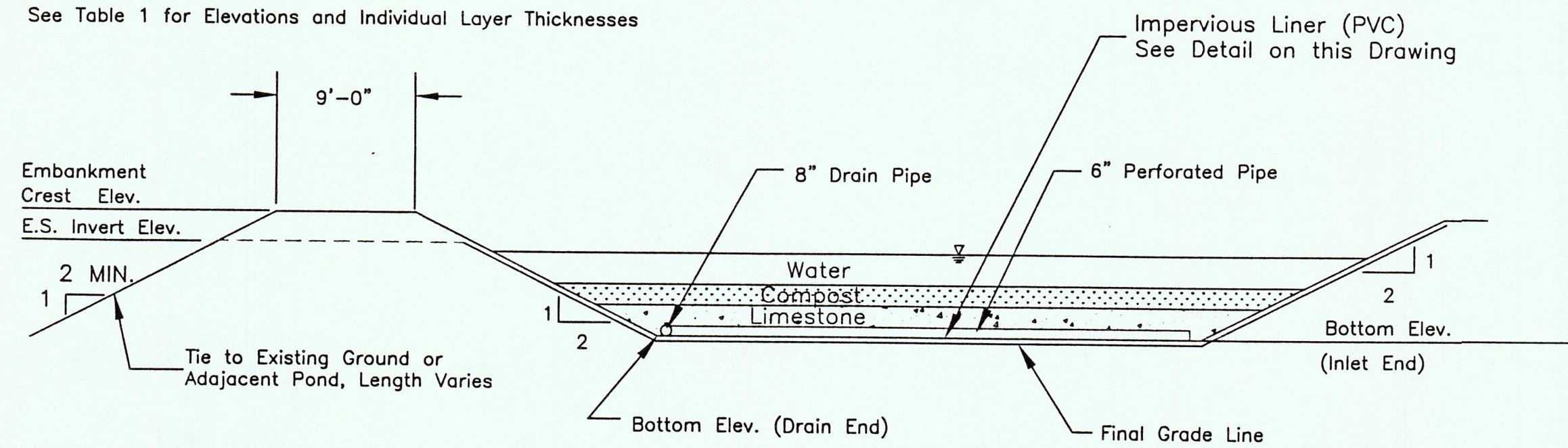


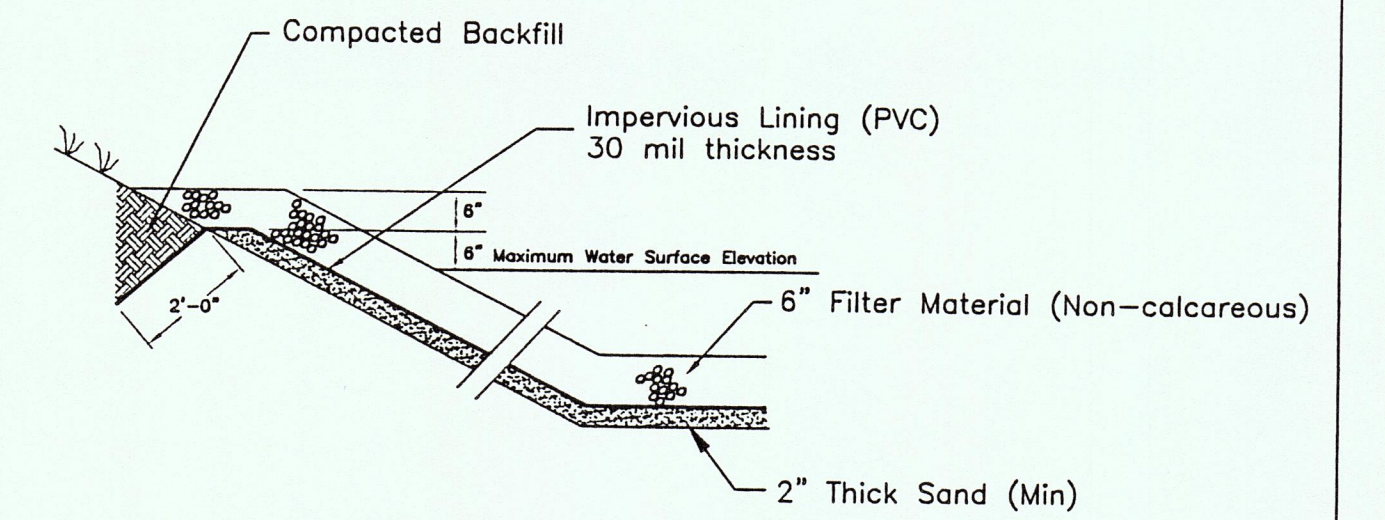
NOTE: See Table 1 for Elevations and Individual Layer Thicknesses



VERTICAL FLOW REACTOR DETAIL
No Scale

TABLE 1
INFORMATION FOR VERTICAL FLOW REACTOR CONSTRUCTION

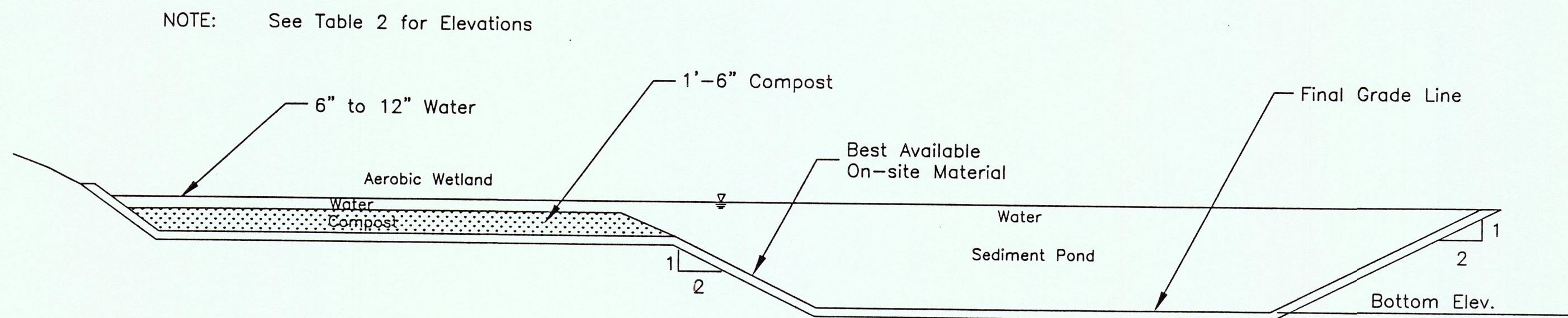
WETLAND NO.	ELEVATIONS			LAYER THICKNESS		WATER DEPTH
	EMBANKMENT CREST	INLET END	DRAIN END	LIMESTONE	COMPOST	
VFR-A	1210.0	1198.0	1197.0	3.5 ft.	2.0 ft.	3.0 ft.- 4.0 ft.
VFR-B-1	1280.0	1266.0	1265.0	3.5 ft.	2.0 ft.	3.0 ft.- 4.0 ft.
VFR-B-2	1232.0	1220.0	1219.0	3.5 ft.	2.0 ft.	3.0 ft.- 4.0 ft.



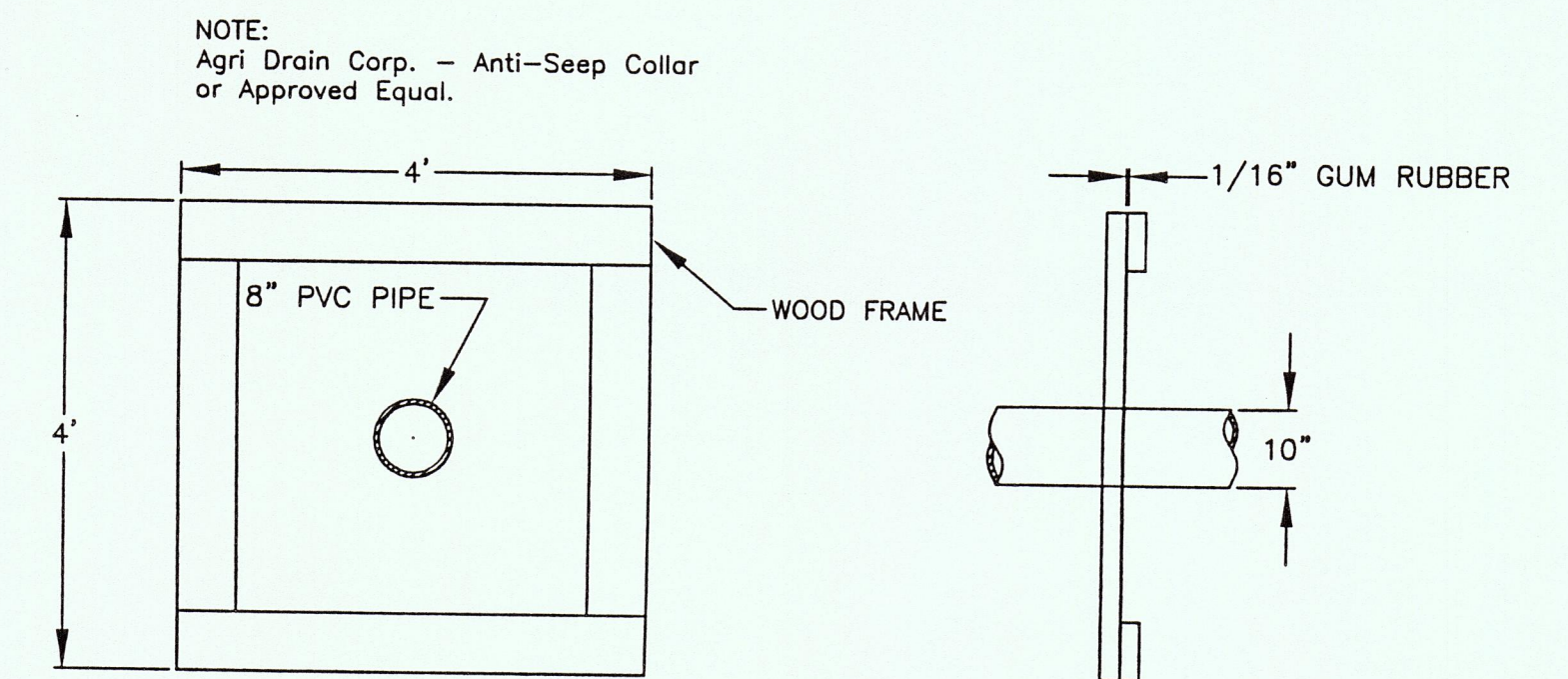
IMPERVIOUS LINING (PVC) DETAIL
No Scale

TABLE 2
INFORMATION FOR POND CONSTRUCTION

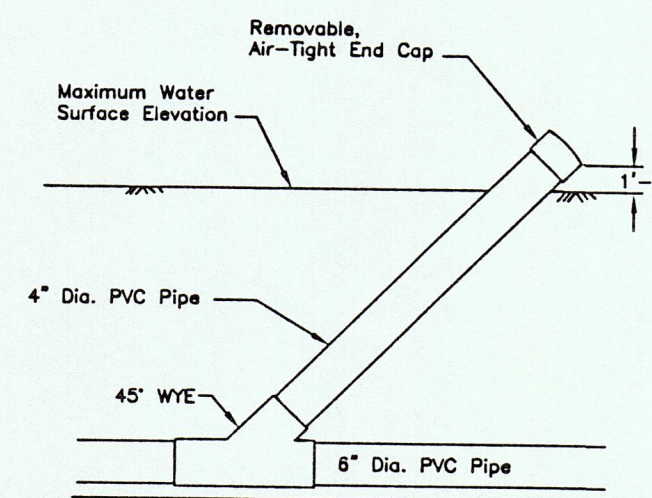
POND NO.	ELEVATIONS	
	EMBANKMENT CREST	BOTTOM
SP-A-1	1210.0	1204.0
SP-A-2	1200.0	1188.0
SP-B-1	1280.0	1274.0
SP-B-2	1224.0	1212.0
AW-A	1200.0	1196.0
AW-B	1224.0	1220.0



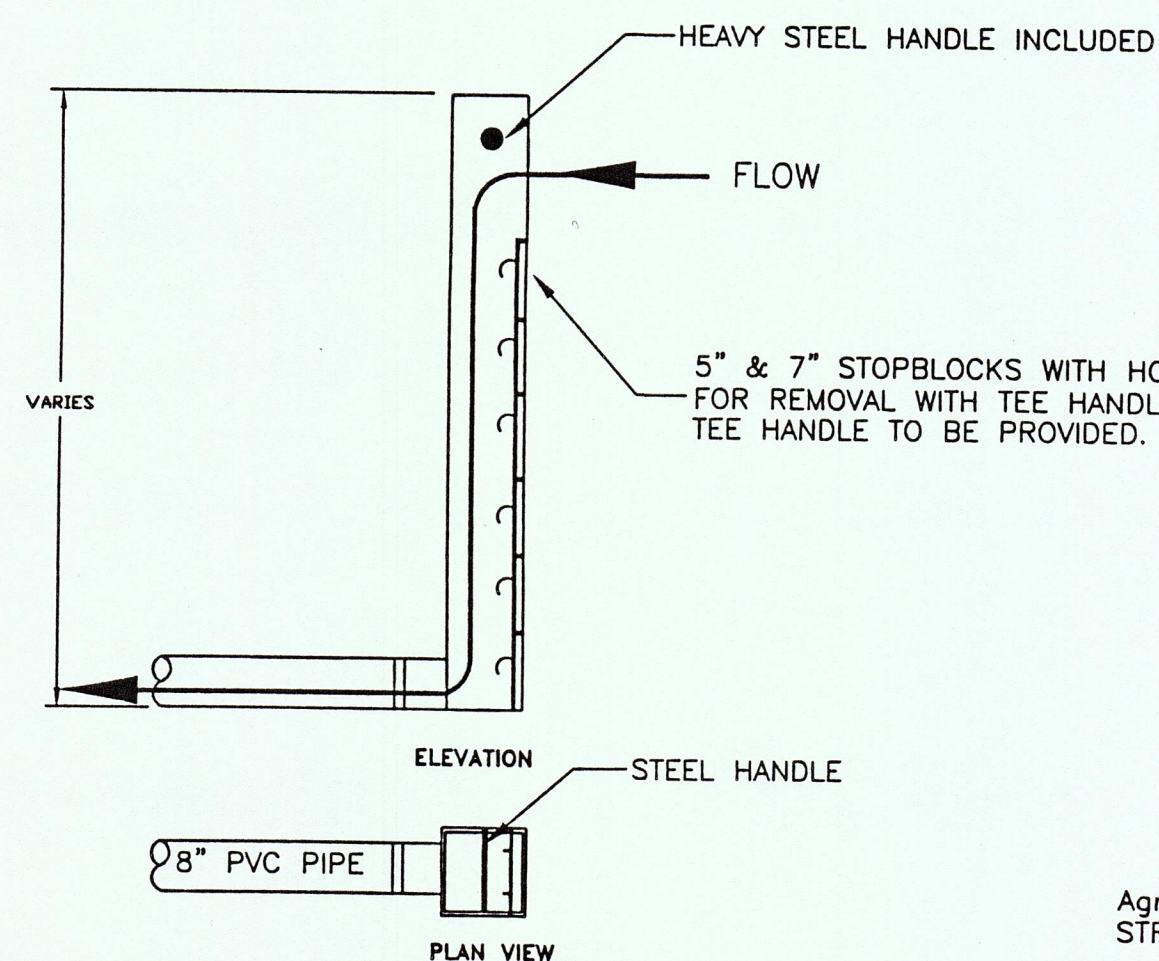
SEDIMENT POND AND AEROBIC WETLAND DETAIL
No Scale



ANTI-SEEP COLLAR (TYP.)
No Scale

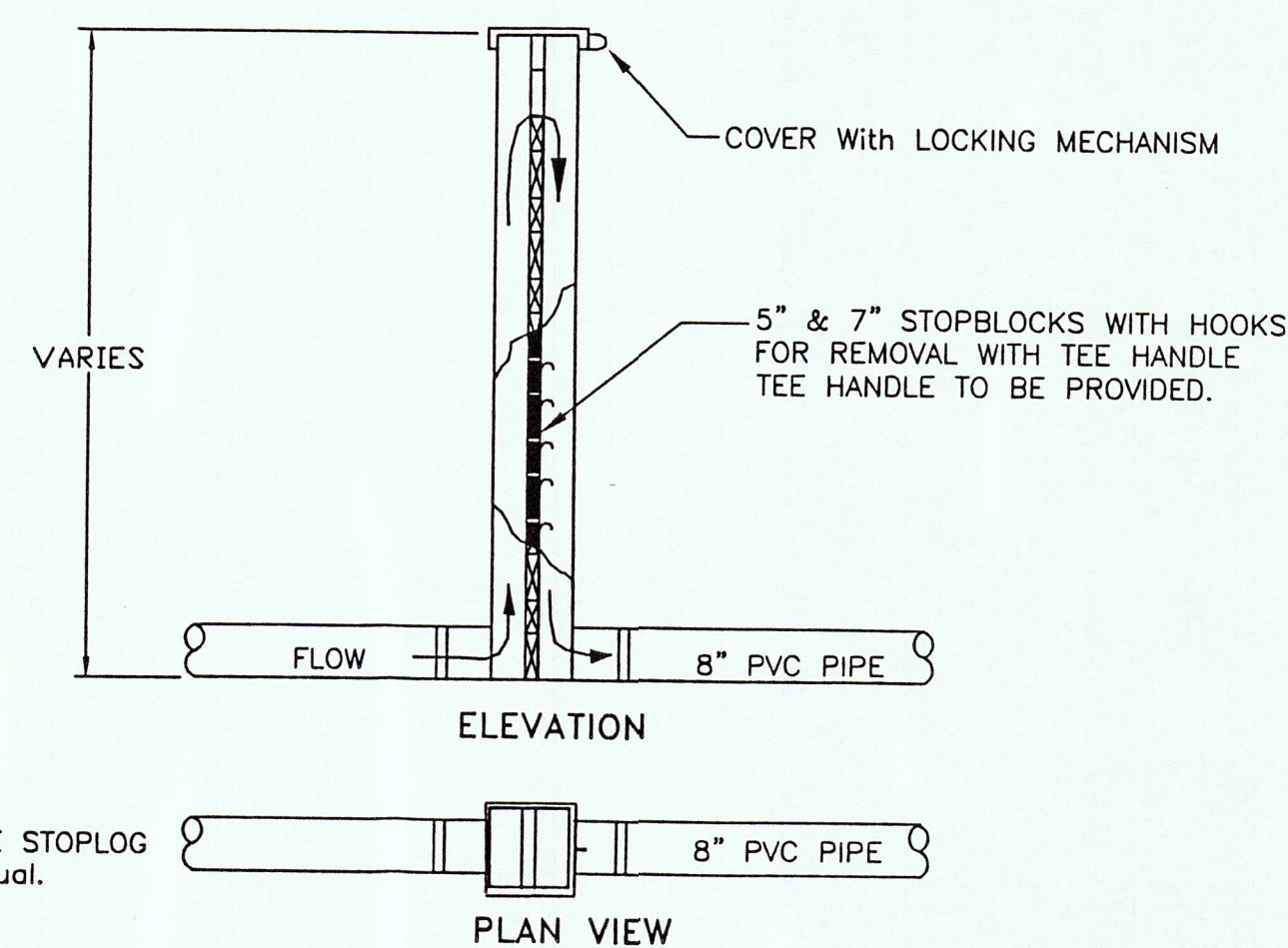


CLEANOUT DETAIL
No Scale



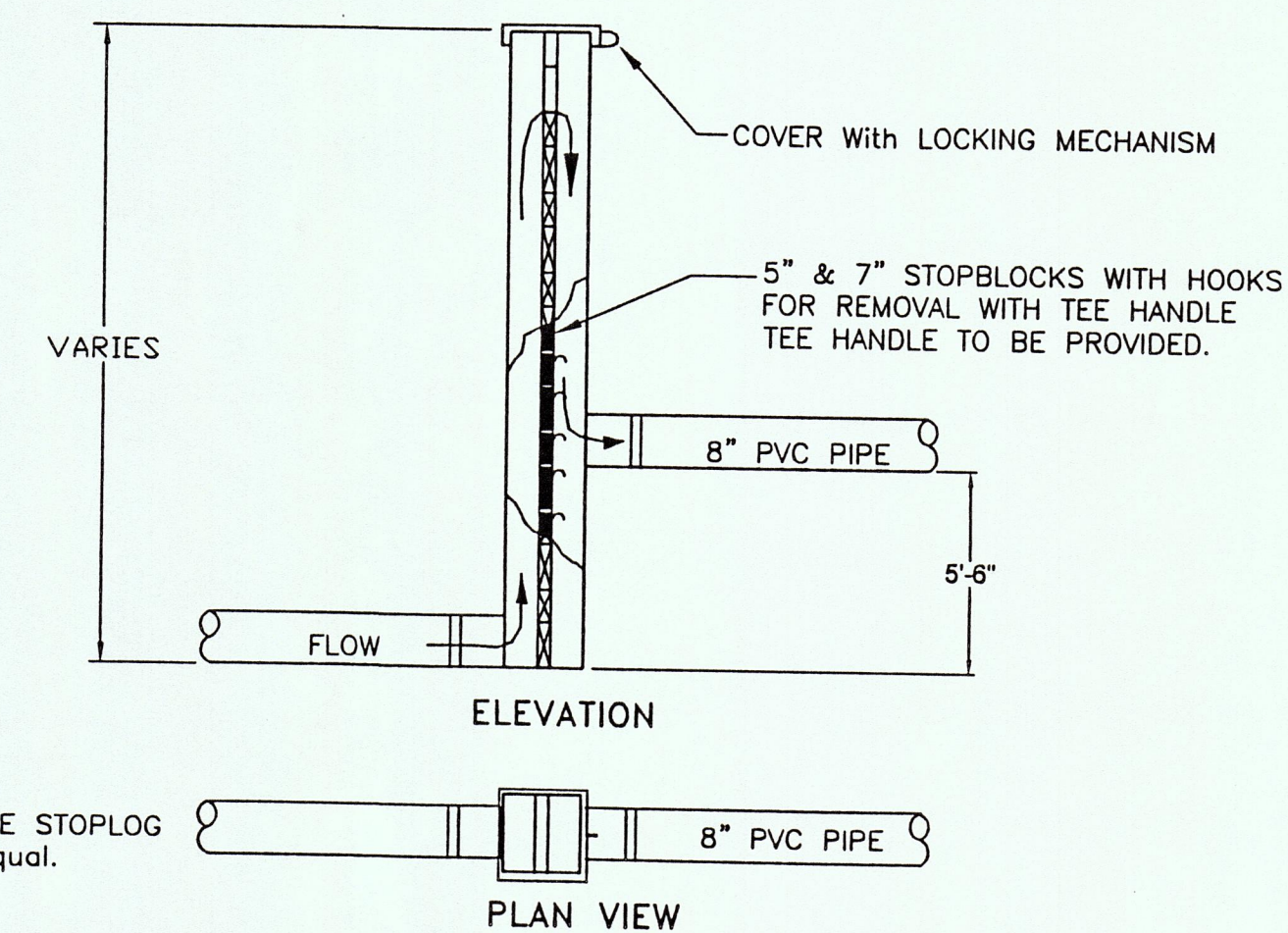
INLET WATER LEVEL CONTROL STRUCTURE
No Scale

Agri Drain - 8" PVC INLINE STOPLOG STRUCTURE or Approved Equal.



INLINE WATER LEVEL CONTROL STRUCTURE
Scale: NONE

Agri Drain - 8" PVC INLINE STOPLOG STRUCTURE or Approved Equal.



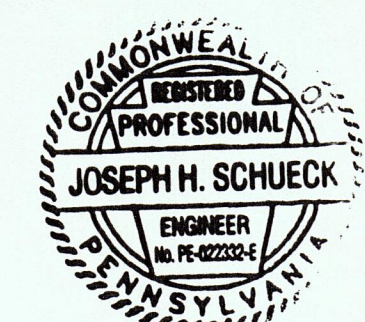
MODIFIED INLINE WATER LEVEL CONTROL STRUCTURE
Scale: NONE

NOTES:

- Contractor Shall Exercise Careful Backfilling Techniques During the Installation of the Inlet Level Control Structures.
- Contractor Shall Install the Structures According to Manufacturer's Recommendations.

NO.	DATE	REVISION	APPR.

SUBMITTED David L. Hollink P.E.
PROJECT ENGINEER
RECOMMENDED David W. Howell, P.E.
ACTING PROJECT COORDINATOR
APPROVED Joseph H. Schueck P.E.
ACTING CHIEF - DIVISION OF ACID MINE DRAINAGE ABATEMENT



COMMONWEALTH OF PENNSYLVANIA
DEPARTMENT OF ENVIRONMENTAL PROTECTION

CONTRACT NO. DMF 008-101.1

ABANDONED MINE LAND
RECLAMATION PROJECT
STANFORD MINING - PENN HILL NO. 2
MINING PERMIT NO. 32841309
CHERRYHILL TOWNSHIP INDIANA COUNTY

DETAILS

DRAWN BY DRH	DATE 11/20/00	DRAWING NO. 7 of 11
CHECKED BY DRH	SCALE AS SHOWN	